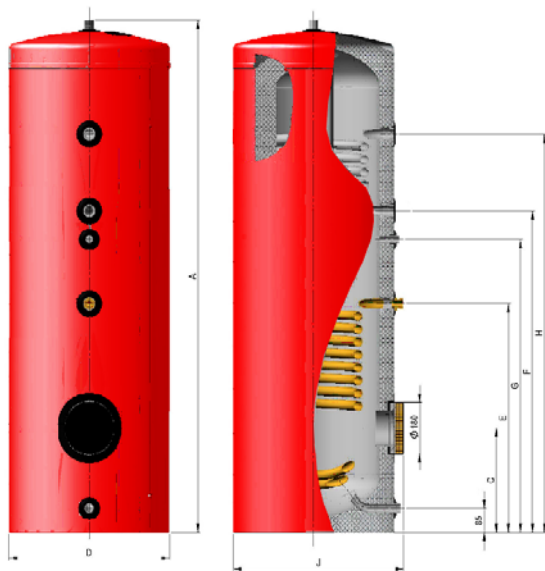




NEHS Solar cylinder "Solarbag"

Hygiene in domestic hot water storage tanks Solarbag 300 to 500 is guaranteed by heating up the specially designed heat exchangers during solar operation. The high-capacity exchanger is decisive for the capacity of the collector. Due to the layout of the solar return line at the bottom of the tank the temperature there is 15 degrees °C lower than with the usual solar storage tanks with standard heat exchangers. As a result of that the efficiency and the performance of the collector is increased by up to 15%. The Solarbag is pre-assembled with a solar pumping station with flow meter and 6m solar pump and the NEHS solar controller BS-3 already wired.



Solarbag	Measures	300	400	500
Heating surface exchanger above	m ²	0,7	0,7	0,7
Capacity heat exchanger above	L	4,4	4,4	4,4
Heating surface exchanger below	m ²	1,2	1,5	1,8
Capacity heat exchanger below	L	7,4	9,6	11,6
A	mm (inch)	1797	1832	1844
C	mm (inch)	367	385	425
D	mm (inch)	600	670	750
E	mm (inch)	803	842	944
F	mm (inch)	1028	1090	1040
G	mm (inch)	1128	1190	1140
H	mm (inch)	1398	1460	1410
J	mm (inch)	640	715	790
Topple measure	mm (inch)	1850	1890	1930
Screw-in heater	mm (inch)	520	590	670
Capacity total	L	290	380	500



NEHS Temperature difference regulator DeltaSol® BS

The controller for standard solar thermal systems. DeltaSol® BS persuades by a clear operating concept and is equipped with the newly developed illuminated combined display with system monitoring. Flashing symbols for sensors, pumps and valves enable an immediate allocation of temperatures, temperature differences and active actuators. Adjustment and control of the solar system can be easily realised. An extension to the standard version of the controller DeltaSol® BS/3 with 2 standard relays is the version DeltaSol® BS/4 with 1 standard- and 1 semi-conductor relay for pump speed control of the solar pump.